

KS-PAX21 Series

21.5-Inch Multipurpose Payment Kiosk

KS-PA121/ KS-PA521/ KS-PA821



Features

- ARM Rockchip RK3399/ Dual Cortex-A72/ Quad Cortex-A53 1.8 GHz;
Or Intel® Bay Trail-D Celeron® J1900/ Quad Core (2M Cache, up to 2.42 GHz);
Or Intel® Core™ i3 7100U (3M Cache, 2.40 GHz)/ Intel® Core™ i5 7200U
(3M Cache, up to 3.1GHz) Processors
- 21.5-inch VA LED LCD, 1080(V) x 1920(H) resolution, 250nits
- True-Flat PCAP (G+G)
- High performance with low power consumption
- Communication: Wi-Fi and 4G LTE optional supported
- OS: Android 9.X or Windows 10 IoT Enterprise
- Supporting multiple payment methods includes credit card, barcode and mobile payments. Accept coins and notes and able to provide automatic cash handling.



Flexible payment options including mobile payment, credit cards, cash and coin and etc...

Fametech Inc.

12F., NO.237, Sec.1, Datong Rd., Xizhi Dist., New Taipei City 221, Taiwan
Tel: +886-2-8692-2060 Fax: +886-2-8692-2061 info@fametech.com.tw



• Specifications

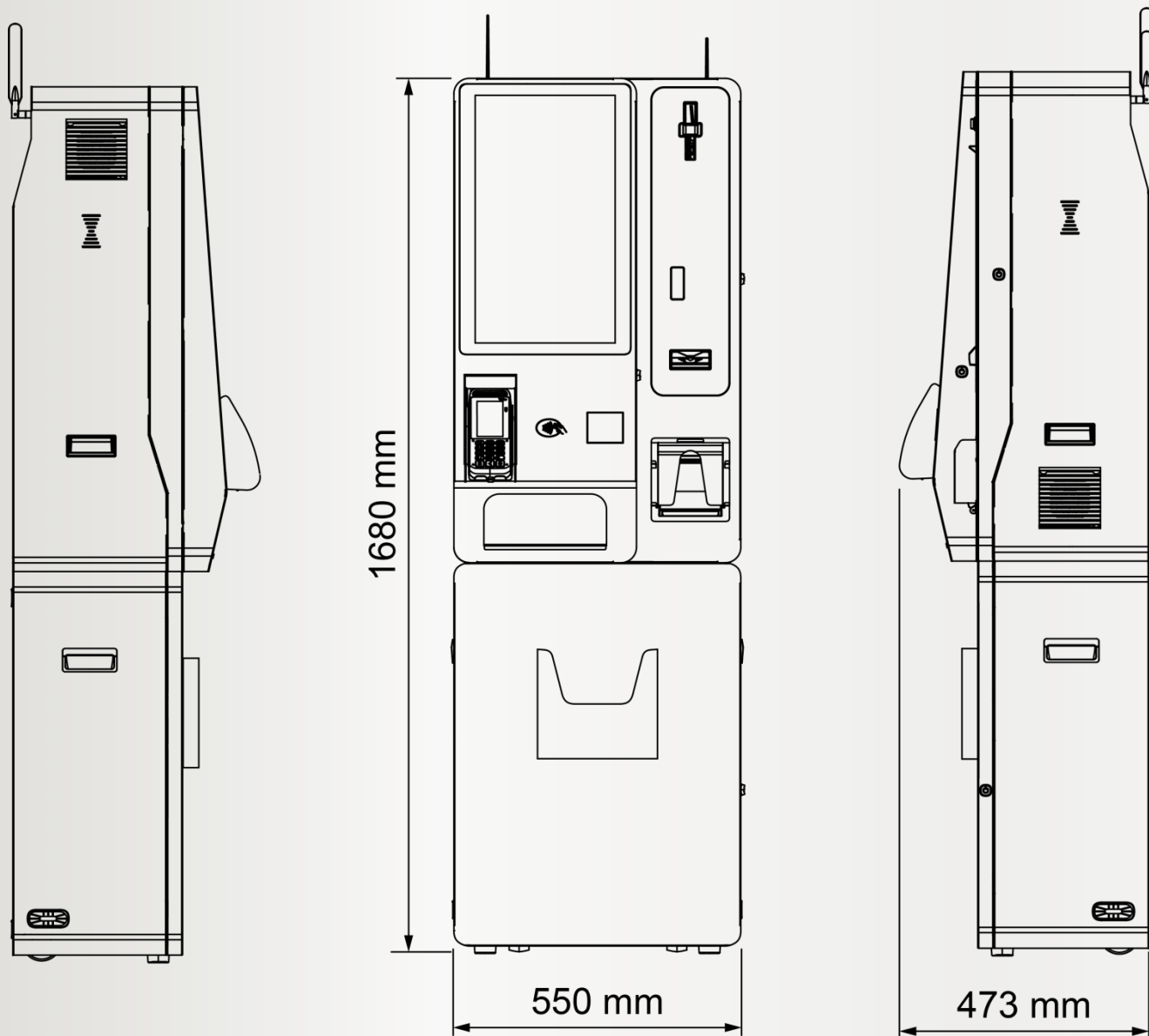
Model Name		KS-PA121	KS-PA521	KS-PA821
Core Logic	Processor	ARM Rockchip RK3399 Dual Cortex-A72 and Quad Cortex-A53 1.8 GHz	Intel® Bay Trail-D Celeron® J1900 Quad Core (2M Cache, up to 2.42 GHz)	Intel® Core™ i3 7100U (3M Cache, 2.40 GHz) Intel® Core™ i5 7200U (3M Cache, up to 3.1 GHz)
	Memory	On board 4GB DDR3 1333	up to 8G DDR3L SO-DIMM	up to 32G DD4 SO-DIMM
	Storage	On board 32GB eMMC + 1 x microSD Card (up to 256GB)	1 x M.2 M Key Slot	1 x M.2 M Key Slot
LCD Panel	Panel Size	21.5-inch VA LED Panel	21.5-inch VA LED Panel	21.5-inch VA LED Panel
	Resolution	1080 (V) x 1920 (H)	1080 (V) x 1920 (H)	1080 (V) x 1920 (H)
	Brightness	250nits	250nits	250nits
	View Angle	89° / 89° / 89° / 89°	89° / 89° / 89° / 89°	89° / 89° / 89° / 89°
Touch Panel	Bezel Free	True-Flat PCAP Touch(G+G)	True-Flat PCAP Touch(G+G)	True-Flat PCAP Touch(G+G)
RF Communication	Wi-Fi / 4G LTE	Wi-Fi IEEE 802.11 a/b/g/n/ac	Option	Option
Speaker	Internal Speaker	2 x 5W Speakers	2 x 5W Speakers	2 x 5W Speakers
Payment Cycle Related Devices				
Acceptor Devices	Bill Acceptor	Speed : 3 notes/sec Rate : 96% or greater Capacity : Approx. 500 bills Bill Accepted : (W) 59~71 mm Bill Insertion : Four-way	Speed : 3 notes/sec Rate : 96% or greater Capacity : Approx. 500 bills Bill Accepted : (W) 59~71 mm Bill Insertion : Four-way	Speed : 3 notes/sec Rate : 96% or greater Capacity : Approx. 500 bills Bill Accepted : (W) 59~71mm Bill Insertion : Four-way
	Coin Acceptor	Rate : 96% or greater Speed : Approx.3 coins/sec Coin Parameters : Diameter : Thickness : 1.2~3.2mm	Rate : 96% or greater Speed : Approx.3 coins/sec Coin Parameters : Diameter : Thickness : 1.2~3.2mm	Rate : 96% or greater Speed : Approx.3 coins/sec Coin Parameters : Diameter : Thickness : 1.2~3.2mm
Dispenser Devices	Bill Dispenser	Speed : 2.5 notes/sec Capacity : Approx. 500 notes (depends on the note thickness) Accepted : (W) 62~77mm / (L)120~160mm / (T) 0.08~0.125mm	Speed : 2.5 notes/sec Capacity : Approx. 500 notes (depends on the note thickness) Accepted : (W) 62~77mm / (L) 120~160mm / (T) 0.08~0.125mm	Speed : 2.5 notes/sec Capacity : Approx. 500 notes (depends on the note thickness) Bill Accepted : (W) 62~77mm / (L) 120~160mm / (T) 0.08~0.125mm
	Coin Dispenser	Speed: 6~8 coins/sec Capacity: Approx. 500 coins Applicable Coin Sizes : • A TYPE - (Diameter) 22.5~28mm / (Thickness) 1.6~2.4mm • B TYPE - (Diameter)	Speed: 6~8 coins/sec Capacity: Approx. 500 coins Applicable Coin Sizes : • A TYPE - (Diameter) 22.5~28mm / (Thickness) 1.6~2.4mm • B TYPE - (Diameter) 20~23mm	Speed: 6~8 coins/sec Capacity: Approx. 500 coins Applicable Coin Sizes : • A TYPE - (Diameter) 22.5~28mm / (Thickness) 1.6~2.4mm • B TYPE - (Diameter)



		20~23mm / (Thickness) 1.6~2.2mm • C TYPE - (Diameter) 23~30mm / (Thickness) 2.5~3.3mm • D TYPE - (Diameter) 23~30mm / (Thickness) 1.6~2.4mm • F TYPE - (Diameter) 22.5~28mm / (Thickness) 1.0~1.5mm • G TYPE - (Diameter) 20~23mm / (Thickness) 1.2~1.6mm * Support up to Max. 4 Coin Hoppers	/ (Thickness) 1.6~2.2mm • C TYPE - (Diameter) 23~30mm / (Thickness) 2.5~3.3mm • D TYPE - (Diameter) 23~30mm / (Thickness) 1.6~2.4mm • F TYPE - (Diameter) 22.5~28mm / (Thickness) 1.0~1.5mm • G TYPE - (Diameter) 20~23mm / (Thickness) 1.2~1.6mm * Support up to Max. 4 Coin Hoppers	20~23mm / (Thickness) 1.6~2.2mm • C TYPE - (Diameter) 23~30mm / (Thickness) 2.5~3.3mm • D TYPE - (Diameter) 23~30mm / (Thickness) 1.6~2.4mm • F TYPE - (Diameter) 22.5~28mm / (Thickness) 1.0~1.5mm • G TYPE - (Diameter) 20~23mm / (Thickness) 1.2~1.6mm * Support up to Max. 4 Coin Hoppers
I/O Interface				
External I/O	LAN	1 x RJ45 Ethernet (Host) 1 x RJ45 Ethernet (option : EMV Payment)	1 x RJ45 Ethernet (Host) 1 x RJ45 Ethernet (option : EMV Payment)	1 x RJ45 Ethernet (Host) 1 x RJ45 Ethernet (option : EMV Payment)
	Power Cord Socket	1 x AC Male Power Socket	1 x AC Male Power Socket	1 x AC Male Power Socket
	Power Switch	1 x Power Switch Button	1 x Power Switch Button	1 x Power Switch Button
Mechanical & Environmental				
Physical Characteristics	Surface Color Plan	Standard or Customizable by project	Standard or Customizable by project	Standard or Customizable by project
	Brand Logo	Customizable by project	Customizable by project	Customizable by project
	Dimension (W x H x D mm)	Countertop Version : 550 x 930 x 409 mm Floorstanding Version : 550 x 1666 x 409 mm	Countertop Version : 550 x 930 x 409 mm Floorstanding Version : 550 x 1666 x 409 mm	Countertop Version : 550 x 930 x 409 mm Floorstanding Version : 550 x 1666 x 409 mm
	Weight (N.W / KG)	Countertop Version : 74KG Floorstanding Version : 106KG	Countertop Version : 74KG Floorstanding Version : 106KG	Countertop Version : 74KG Floorstanding Version : 106KG
Operation System	OS	Android 9.X	Win 10.1 IoT Ent	Win 10.1 IoT Ent
Environment	Operation Condition	0°C to +35°C / 20 to 80% without condensation	0°C to +35°C / 20 to 80% without condensation	0°C to +35°C / 20 to 80% without condensation
	Storage Condition	-5°C to +55°C / 20 to 85% without condensation	-5°C to +55°C / 20 to 85% without condensation	-5°C to +55°C / 20 to 85% without condensation



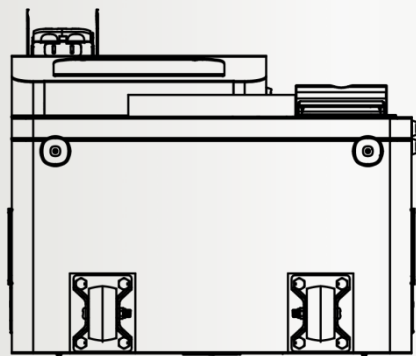
- **Dimensions**



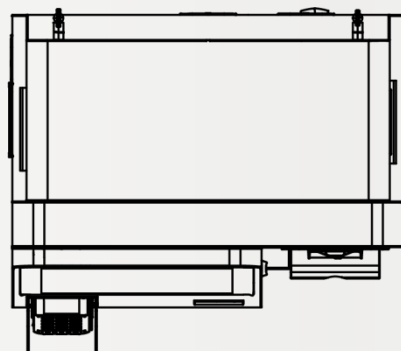
Left View

Front View

Right View



Bottom View



Top View

